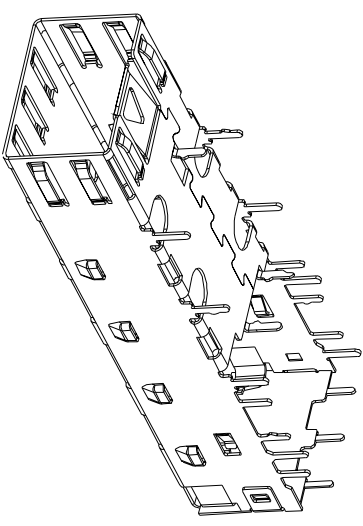
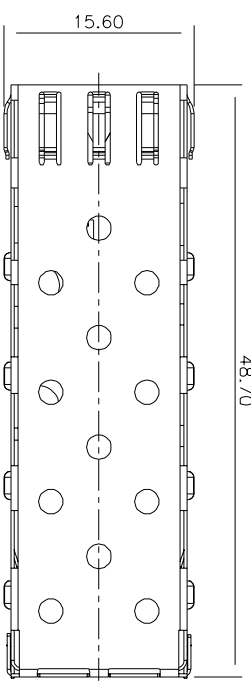
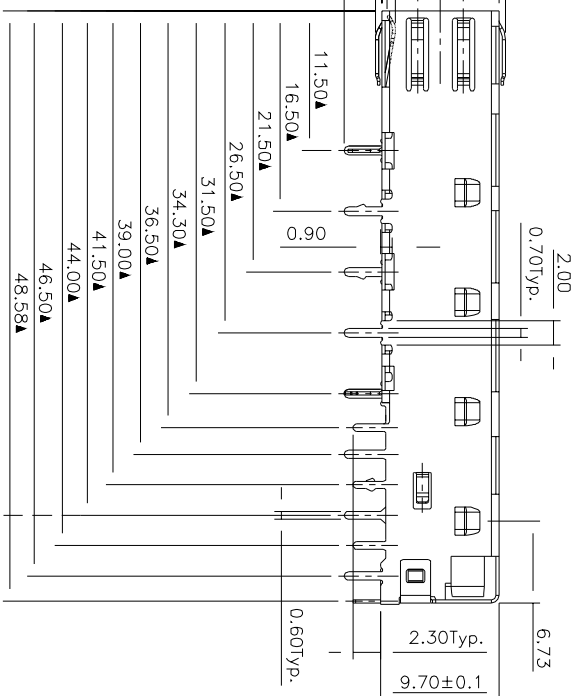
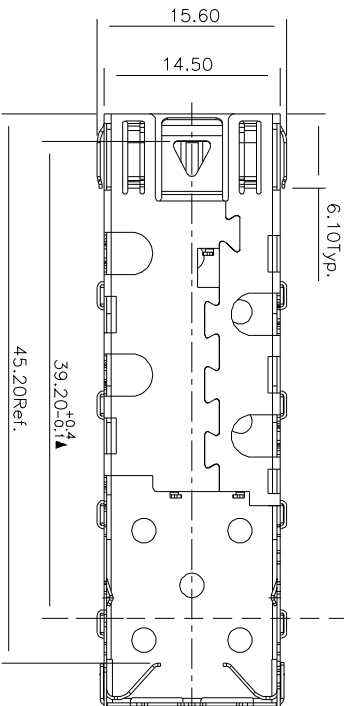
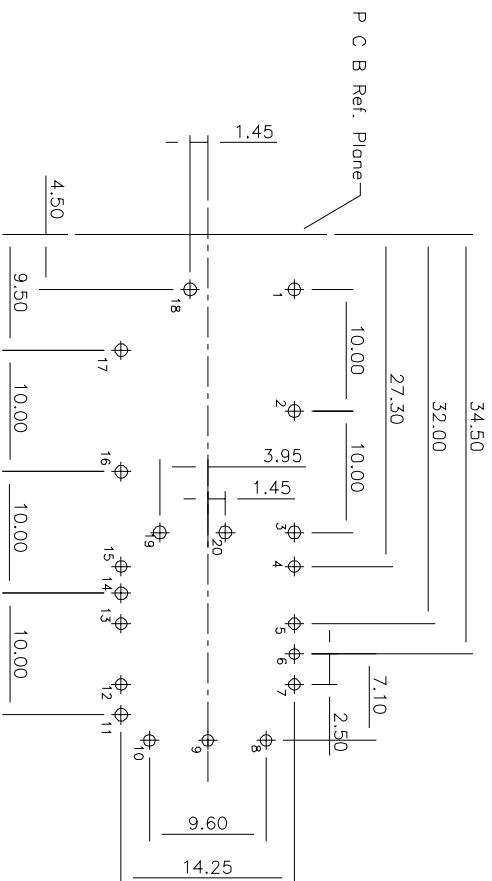


- 技术要求:
- 1、表面无氧化、手印、锈斑、裂纹、脆皮等缺陷。
 - 2、材料：洋白铜，C7701R-H, 0.25%, 无露电镀。
 - 3、使用温度：-40° ~ +85°
 - 4、焊接的最高温度可达：325°，时间可达：5S。
 - 5、凡注▲记号为重点尺寸。

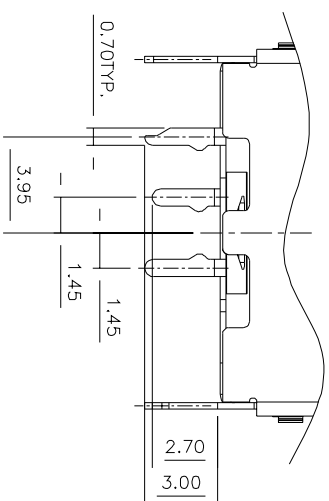
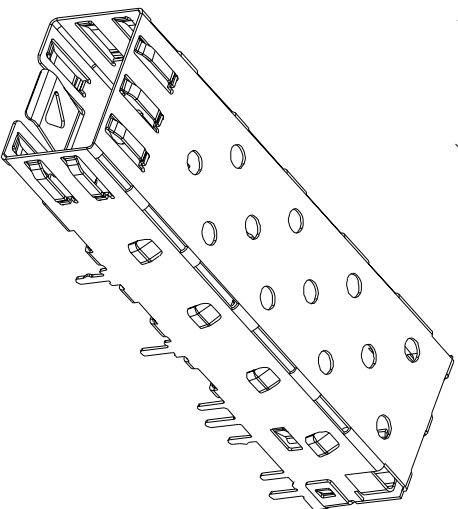


DWG. NO.	HL012052162	NOT SCALED DRAWING	TOLERANCE UNLESS OTHERWISE NOTICE	INCH	MM	DR.	DATE	HENGLIAN ELECTRONIC TECHNOLOGY CO., LTD 恒连电子科技有限公司 http://www.chinar.j45.com
HL-SFP 1X1	THIRD ANGLE PROJECTION	LINEAR	MM INCH	INCH	MM	Nina Jack	MAY-06-12	
		ANGLE+0° 30'		RADIL		APPD Jack	MAY-06-12	



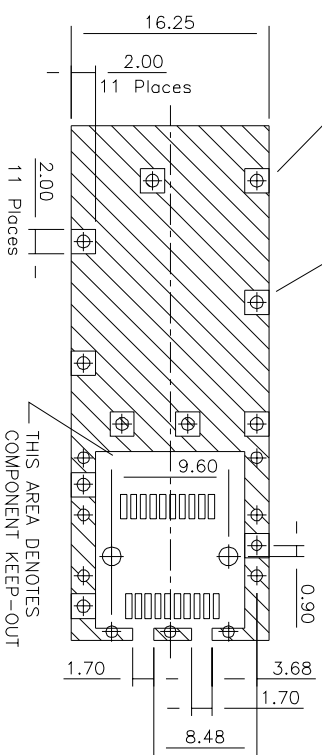
RECOMMENDED PCB LAYOUT (TOP VIEW)
(ALL TOLERANCES ARE ±0.05)

NOTE:
1, 2, 3, 11, 14, 16, 17, 18, 19, 20#孔直径为1.05mm;
4, 5, 7, 8, 9, 10, 12, 13, 15#孔直径为0.95mm;
6#孔直径为0.85mm;



DETAIL A(2:1)

OPTIONAL THRU HOLE AND PAD
COMPONENT AND TRACE KEEP-OUT



THIS AREA DENOTES
COMPONENT KEEP-OUT

	NOT SCALED DRAWING	TOLERANCE UNLESS OTHERWISE NOTICE	INCH	MM	DR. Nina	DATE MAY-06-12	HENGLIAN ELECTRONIC TECHNOLOGY CO., LTD 恒连电子科技有限公司 http://www.chinarj45.com
	THIRD ANGLE PROJECTION	LINEAR	MM INCH	MM INCH	CKD Jack	MAY-06-12	
DWG. NO. HL012052162	HL-SFP 1X1	ANGLE +0° 30'			APPD Jack	MAY-06-12	