
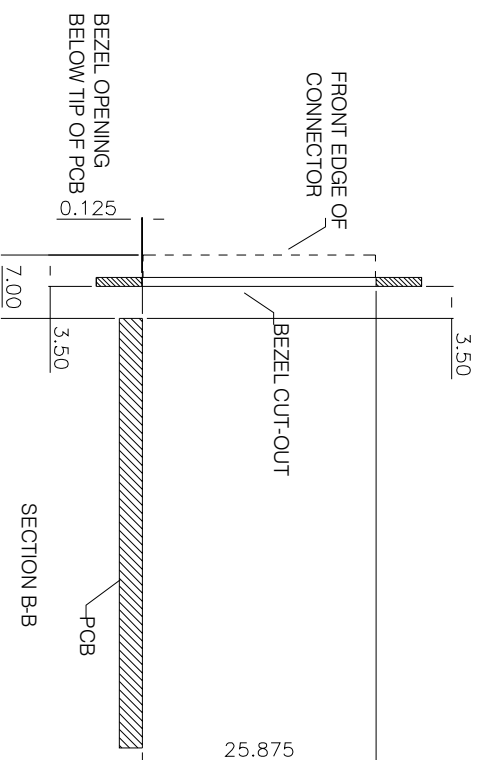
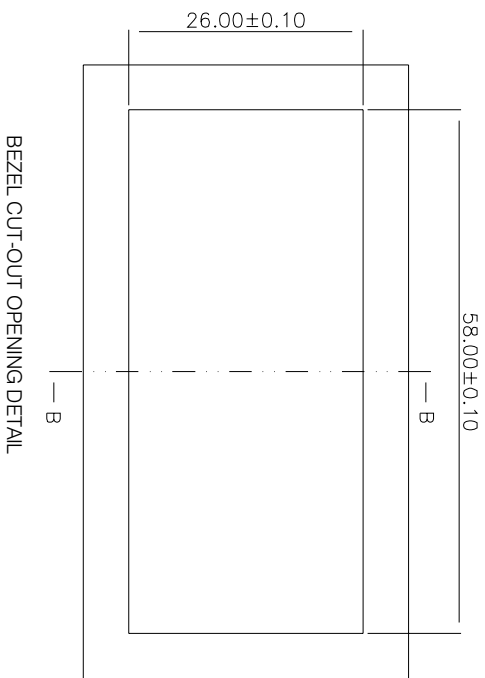
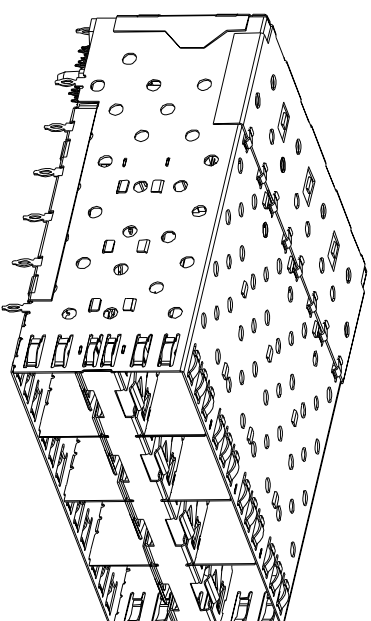
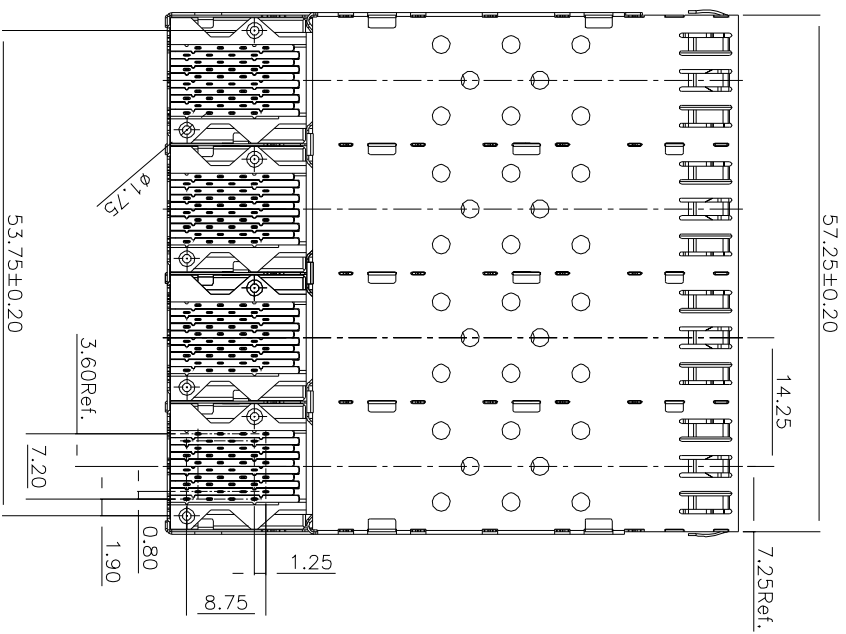



- NOTES:
 1. MATERIAL:
 CAGE: COPPER ALLOY, THICKNESS: 0.25MM;
 CONNECTOR HOUSING: GLASS FILLED THERMOPLASTIC, UL 94V-0
 COLOR: BLACK
 TERMINALS: PHOSPHOR BRONZE
 2. FINISH
 TERMINALS CONTACT AREA: PLATED-GOLD;
 SOLDER TERMINAL AREA: PLATED-TIN.

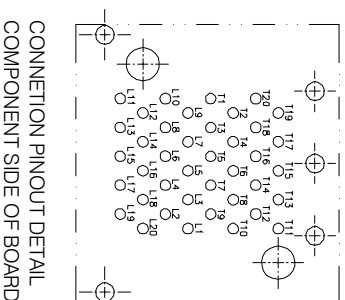
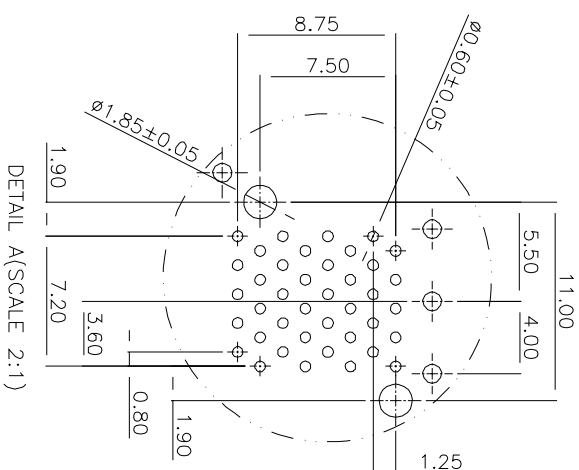
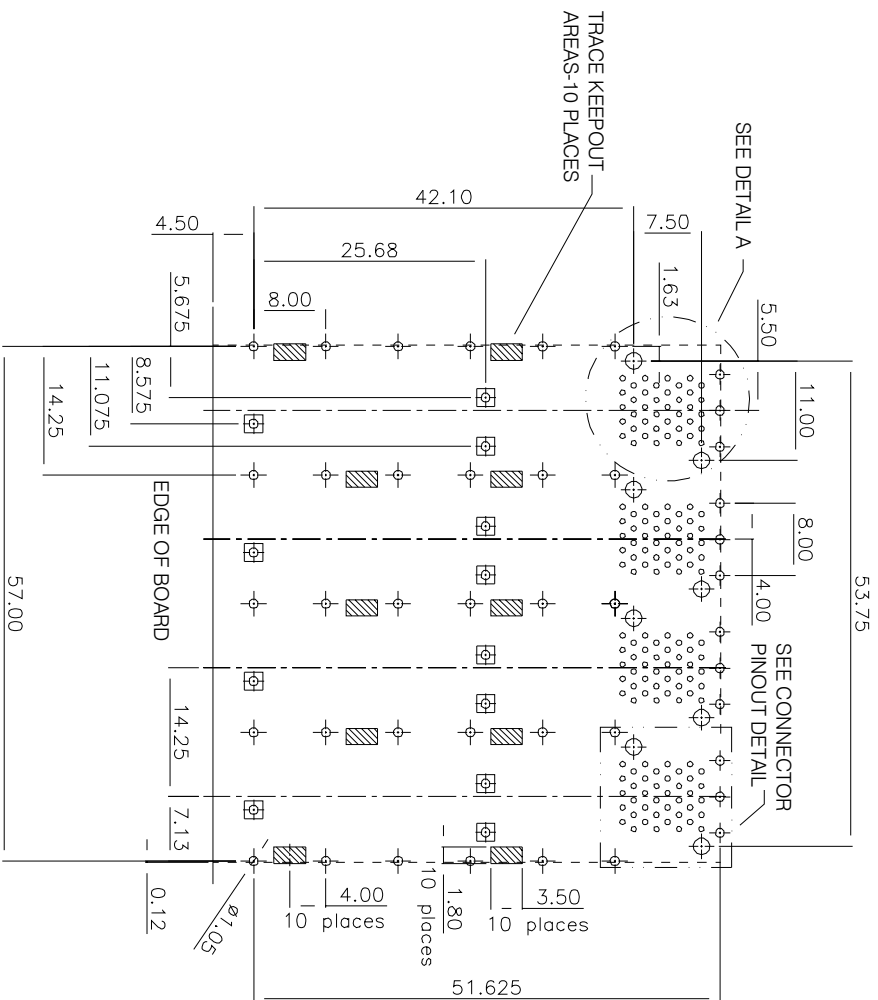
HL-SFP 2X4 DWG. NO. HL012052167	NOT SCALED DRAWING  THIRD ANGLE PROJECTION	TOLERANCE UNLESS OTHERWISE NOTICE LINEAR MM INCH ANGLE +0° 30'	INCH .00-.30 .01 .000-.30 .005 .0000-.30 .002	MM .00-.30 .25 .000-.30 .13 .0000-.30 .05	DR. Nina CKD Jack APPD Jack	DATE MAY-06-12 MAY-06-12 MAY-06-12	HENGLIAN ELECTRONIC TECHNOLOGY CO., LTD 恒连电子科技有限公司 http://www.chinarj45.com
---	--	---	--	--	--	---	--



	NOT SCALED DRAWING	TOLERANCE UNLESS OTHERWISE NOTICE	INCH	MM	DR.	DATE	HENGLIAN ELECTRONIC TECHNOLOGY CO., LTD 恒 连 电 子 科 技 有 限 公 司 http://www.chinar.j45.com
HL-SFP 2X4	THIRD ANGLE PROJECTION	LINEAR	MM INCH	MM INCH	Nina Jack	MAY-06-12 MAY-06-12	
DWG. NO. HL012052167	MM INCH	ANGLE+0° 30'	RADIL	MM INCH	APPID Jack	MAY-06-12	



	NOT SCALED DRAWING 	TOLERANCE UNLESS OTHERWISE NOTICE	INCH .00-.01 .000±0.005 .0000±0.002	MM .00±0.25 .000±0.13 .0000±0.05	DR. Nina CKD Jack	DATE MAY-06-12 MAY-06-12	HENGLIAN ELECTRONIC TECHNOLOGY CO., LTD 恒连电子科技有限公司 http://www.chinar.j45.com
HL-SFP 2X4 DWG. NO. HL012052167	THIRD ANGLE PROJECTION MM INCH	LINEAR INCH MM INCH ANGLE+0° 30'	RADIL	+0.45 -0.15	APP'D Jack	MAY-06-12	



1. RECOMMENDED PCB LAYOUT (COMPONENT SIDE)
PCB TOLERANCE ±0.05
2. 图中定位孔, 为考虑器件兼容性设计, 对应器件 SFP 处可无鱼眼针脚, 但 PCB LAYOUT 图须有。

	NOT SCALED DRAWING	TOLERANCE UNLESS OTHERWISE NOTICE	INCH	MM	DR.	DATE	HENGLIAN ELECTRONIC TECHNOLOGY CO., LTD 恒连电子科技有限公司 http://www.chinarj45.com
HL-SFP 2X4	THIRD ANGLE PROJECTION	LINEAR	MM INCH	MM INCH	Nina Jack	MAY-06-12 MAY-06-12	
DWG. NO. HL012052167		ANGLE +0° 30'	RADIL	+0.45 -0.15	Jack	MAY-06-12	