

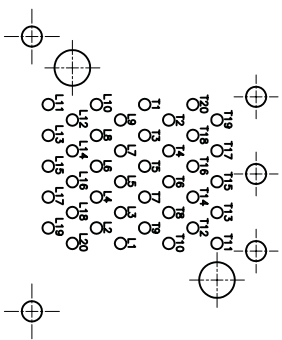
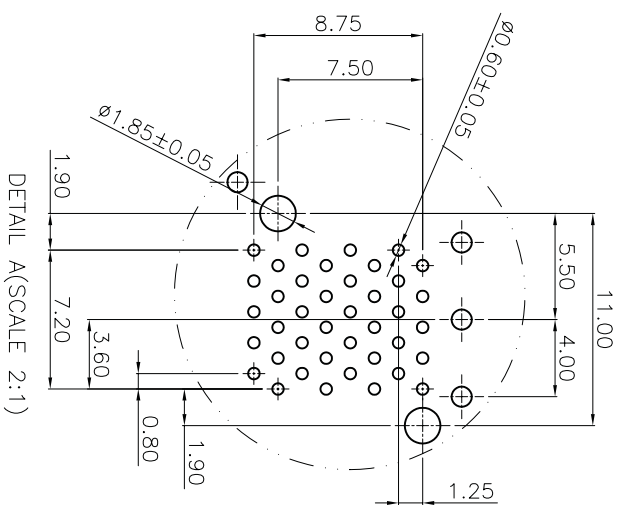
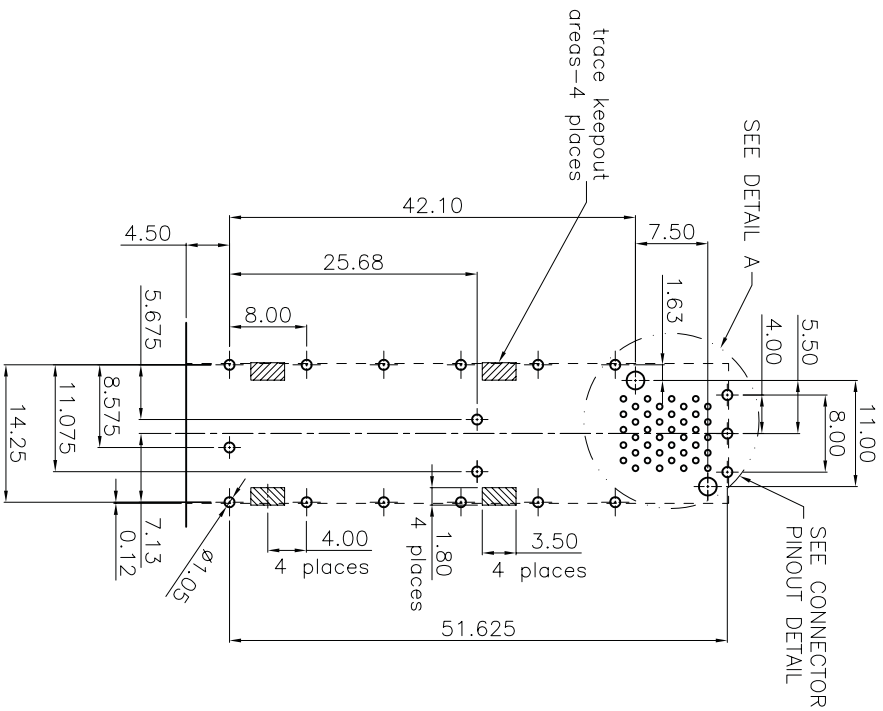
- NOTES:
- 1.MATERIAL:
 CAGE: COPPER ALLOY, THICKNESS: 0.25mm;
 CONNECTOR HOUSING: GLASS FILLED THERMOPLASTIC, UL 94V-0
 COLOR: BLACK
 TERMINALS: PHOSPHOR BRONZE
 - 2.FINISH
 TERMINALS CONTACT AREA: PLATED-GOLD;
 SOLDER TERMINAL AREA: PLATED-TIN.

46006-0XXXXX1

M32: Ni50u", Au15u", Brume Sn150u"
 M31: Ni50u", Au30u", Brume Sn150u"

	NOT SCALED DRAWING	TOLERANCE UNLESS OTHERWISE NOTICE	INCH	MM	DR.	DATE	HENGLIAN ELECTRONIC TECHNOLOGY CO., LTD 恒连电子科技有限公司 http://www.chinarj45.com
HL-SFP 2X1	THIRD ANGLE PROJECTION	LINEAR	MM INCH	MM INCH	Nina Jack	MAY-06-12	
DWG. NO.	MM INCH	ANGLE +0° 30'	RADIL	+0.45 -0.15	APPD Jack	MAY-06-12	

HL012052162



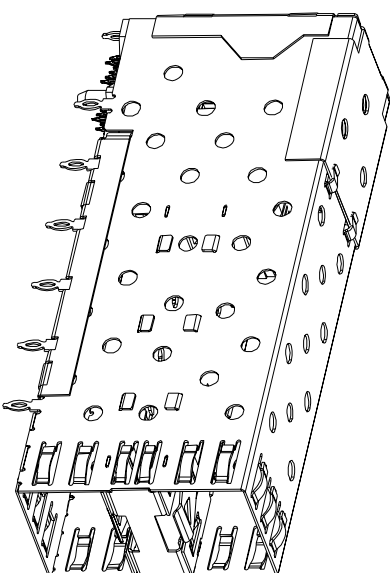
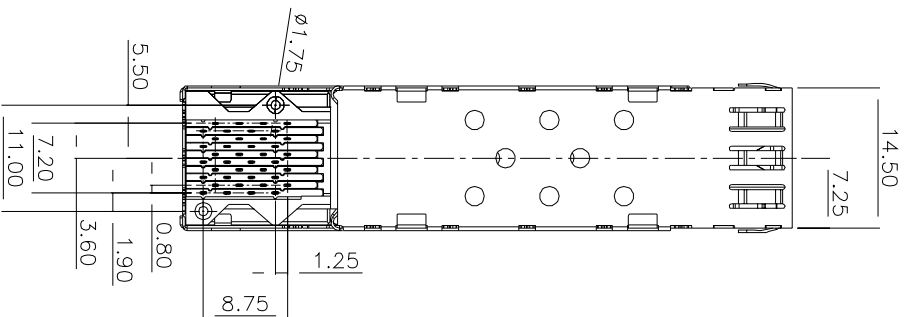
CONNECTOR PINOUT DETAIL
COMPONENT SIDE OF BOARD

EDGE OF BOARD

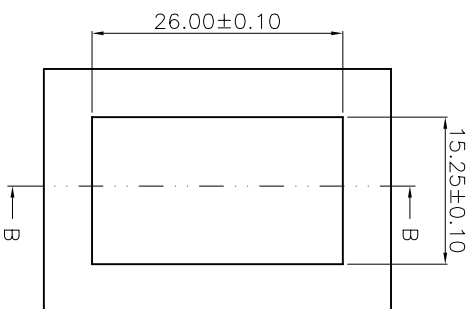
RECOMMENDED PCB LAYOUT (COMPONENT SIDE)
PCB TOLERANCE: ± 0.05

	NOT SCALED DRAWING	TOLERANCE UNLESS OTHERWISE NOTICE	INCH	MM	DR.	DATE	HENGLIAN ELECTRONIC TECHNOLOGY CO., LTD 恒连电子科技有限公司 http://www.chinarj45.com
HL-SFP 2X1	THIRD ANGLE PROJECTION	LINEAR	MM INCH	MM INCH	Nina Jack	MAY-06-12 MAY-06-12	
DWG. NO.	MM INCH	ANGLE $+0^\circ 30'$	RADIL	MM INCH	APP'D Jack	MAY-06-12	

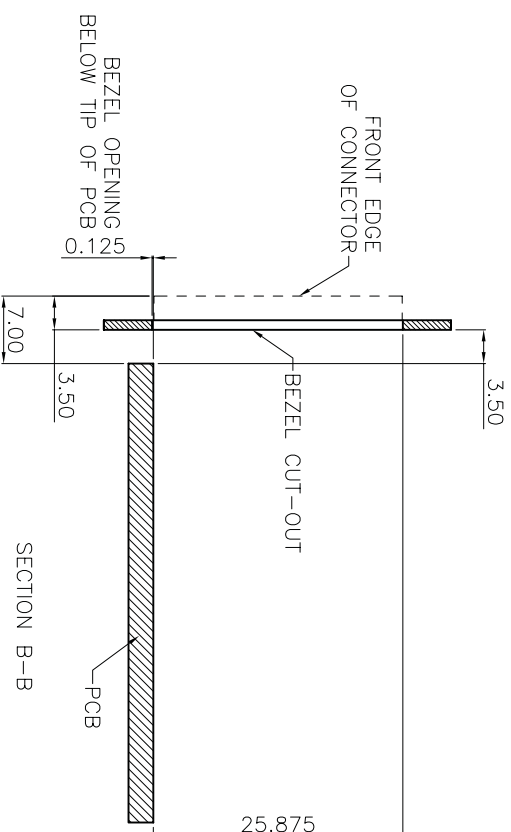
HONS Compliant



NOT SCALED DRAWING		TOLERANCE UNLESS OTHERWISE NOTICE		DR. Nina		DATE MAY-06-12		HENGLIAN ELECTRONIC TECHNOLOGY CO., LTD 恒 连 电 子 科 技 有 限 公 司 http://www.chinarj45.com
THIRD ANGLE PROJECTION		LINEAR MM	INCH	CKD Jack	MAY-06-12			
DWG. NO. HL012052162	MM INCH	ANGLE+0° 30'	RADIL	APPD Jack	MAY-06-12			



BEZEL CUT-OUT OPENING DETAIL



SECTION B-B

	NOT SCALED DRAWING	TOLERANCE UNLESS OTHERWISE NOTICE	INCH	MM	DR.	DATE	HENGLIAN ELECTRONIC TECHNOLOGY CO., LTD 恒连电子科技有限公司 http://www.chinar.j45.com
HL-SFP 2X1	THIRD ANGLE PROJECTION	LINEAR	MM INCH	MM INCH	Nina Jack	MAY-06-12 MAY-06-12	
DWG. NO. HL012052162	MM INCH	ANGLE +0° 30'	RADIL	+0.45 -0.15	APPD Jack	MAY-06-12	