

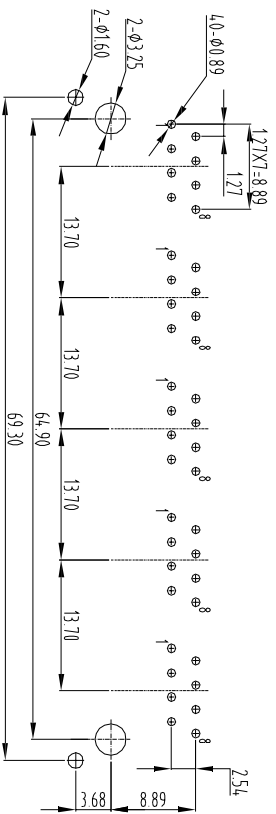
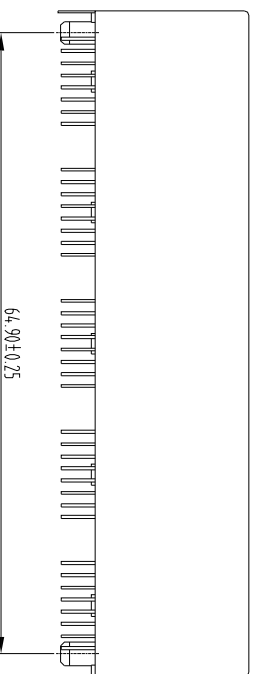
NOTES:

MATERIAL:

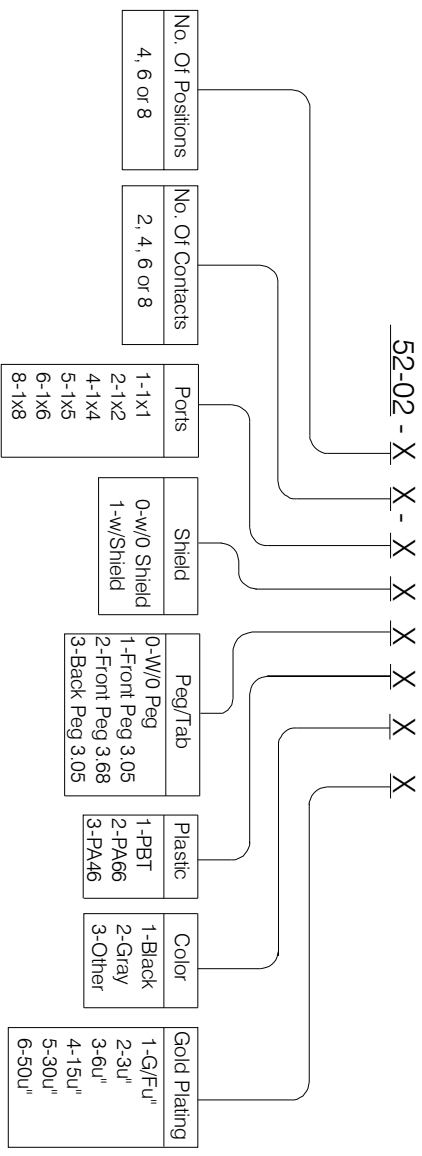
1. HOUSING MATERIAL :PBT PA66, PA46(UL 94V-0)
2. CONTACT MATERIAL :ROUND PINS-0.46mm DIAMETER PHOSPHOR BRONZE; GOLD PLATING OVER NICKEL
3. SHIELD :0.20mm THICKNESS COPPER ALLOY WITH NICKEL PLATED

ELECTRICAL/PHYSICAL:

1. VOLTAGE RATING :125 VAC RMS
2. CURRENT RATING :1.5 AMP
3. CONTACT RESISTANCE :30 MILLIOHMS MAX2
4. INSULATION RESISTANCE :500 MEGOHMS MIN @500V DC
5. DIELECTRIC WITHSTANDING RISTANCE :1000V AC RMS 60HZ 1MIN
6. DURABILITY :750 CYCLES MIN
7. TEMPERATURE :-40 ° C/+85° C



PCB LAYOUT /TOP VIEW



NOT SCALED DRAWING	TOLERANCE UNLESS OTHERWISE NOTICE	INCH	MM	DR.	DATE	HENGLIAN ELECTRONIC TECHNOLOGY CO., LTD 恒连电子科技有限公司 http://www.chinarj45.com
THIRD ANGLE PROJECTION	LINEAR	MM INCH	MM INCH	Nina Jack	MAY-06-12	
	ANGLE+0° 30'			CKD Jack	MAY-06-12	
RJ45 TOP ENTRY PCB JACK				APPD Jack	MAY-06-12	
DWG. NO.						
HL012052004						