

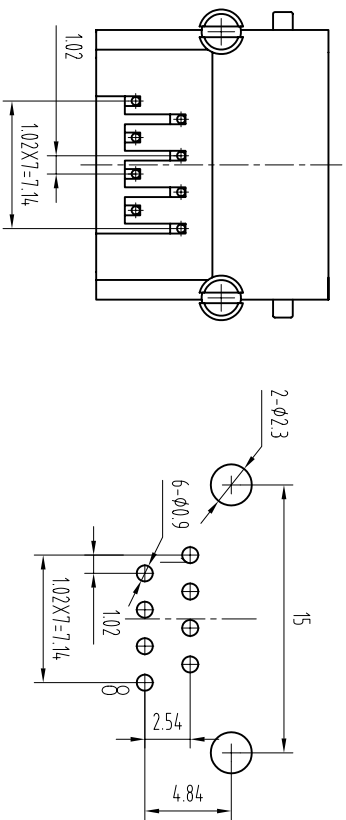
NOTES:

MATERIAL:

- 1. HOUSING MATERIAL :PBT, PA66 PA46(UL 94V-0)
- 2. CONTACT MATERIAL :ROUND PINS-0.46mm DIA/ETTER PHOSPHOR BRONZE; GOLD PLATING OVER NICKEL

ELECTRICAL/PHYSICAL:

- 1. VOLTAGE RATING :125 VAC RMS
- 2. CURRENT RATING :1.5 AMP
- 3. CONTACT RESISTANCE :30 MILLIOHMS MAX2
- 4. INSULATION RESISTANCE :500 MEGOHMS MIN @500V DC
- 5. DIELECTRIC WITHSTANDING RISTANCE :1000V AC RMS 60HZ 1MIN
- 6. DURABILITY :750 CYCLES MIN
- 7. TEMPERATURE :-40 ° C/+95° C



No. Of Positions	No. Of Contacts	Shield	High	Panel	Gap	Plastic	Color	Gold Plating
4, 6 or 8	2, 4, 6 or 8	0-w/0 Shield 1-w/Shield	1-H=13 2-H=15	0-w/0 Panel 1-w/ Panel	0-w/0 Gap 1-w/ Gap	1-PBT 2-PA66 3-PA46	1-Black 2-Gray 3-Other	1-G/Fu" 2-3u" 3-6u" 4-15u" 5-30u" 6-50u"

55-01 - X X - X X X X X X X X

NOT SCALED DRAWING TOLERANCE UNLESS OTHERWISE NOTICE

THIRD ANGLE PROJECTION LINEAR MM INCH ANGLE +0° 30'

DWG. NO. HL012052030

HENGLIAN ELECTRONIC TECHNOLOGY CO., LTD

恒连电子科技有限公司
http://www.chinar.j45.com

DR. Nina DATE MAY-06-12
CKD Jack MAY-06-12
APPD Jack MAY-06-12