

NOTES:

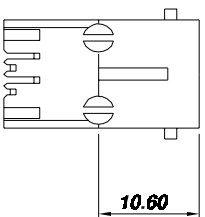
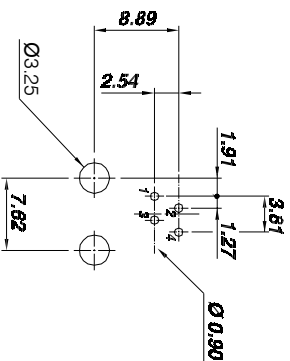
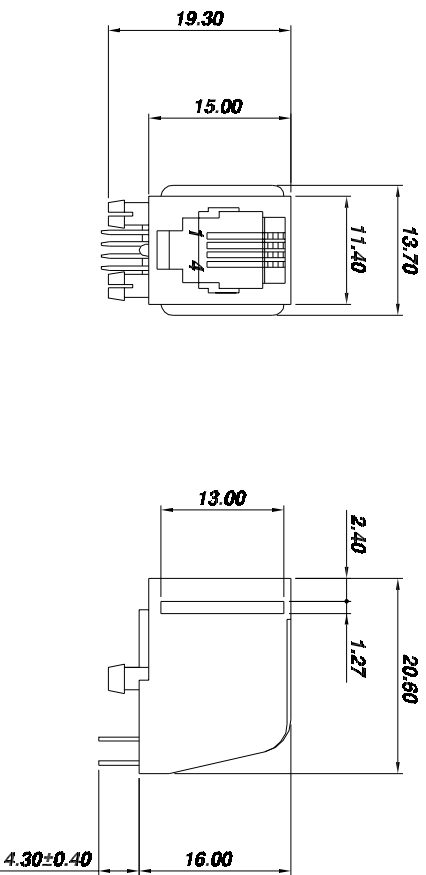
MATERIAL:

1. HOUSING MATERIAL
2. CONTACT MATERIAL

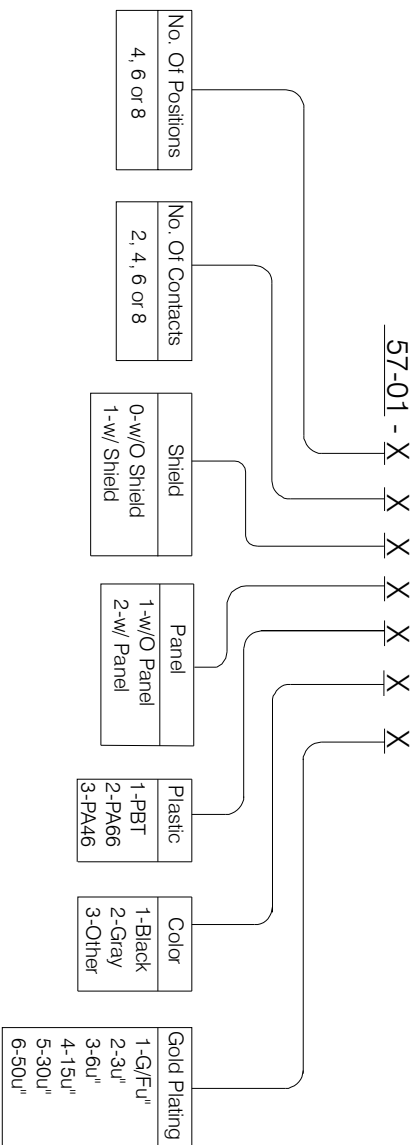
:PBT PA66, PA46(UL 94V-0)
 :FLAT PINS-0.35mm THICKNESS PHOSPHOR BRONZE ;
 :GOLD PLATING OVER NICKEL IN CONTACT AREA;
 :TIN PLATING OVER NICKEL IN SOLDER AREA

ELECTRICAL/PHYSICAL:

1. VOLTAGE RATING :125 VAC RMS
2. CURRENT RATING :1.5 AMP
3. CONTACT RESISTANCE :30 MILLIOHMS MAX2
4. INSULATION RESISTANCE :500 MEGOHMS MIN @500V DC
5. DIELECTRIC WITHSTANDING RISTANCE :1000V AC RMS 60Hz 1MIN
6. DURABILITY :750 CYCLES MIN
7. TEMPERATURE :-40 ° C/+85° C



**PCB LAYOUT
(Top View)**



	NOT SCALED DRAWING	TOLERANCE UNLESS OTHERWISE NOTICE	INCH	MM	DR.	DATE	HENGLIAN ELECTRONIC TECHNOLOGY CO., LTD 恒连电子科技有限公司 http://www.chinarj45.com
SIDE ENTRY PCB JACK	THIRD ANGLE PROJECTION	LINEAR	MM INCH	MM INCH	Nina Jack	MAY-06-12 MAY-06-12	
DWG. NO.	MM INCH	ANGLE+0° 30'	RADIL	+0.45 -0.15	APPD Jack	MAY-06-12	
	HL012052050						