

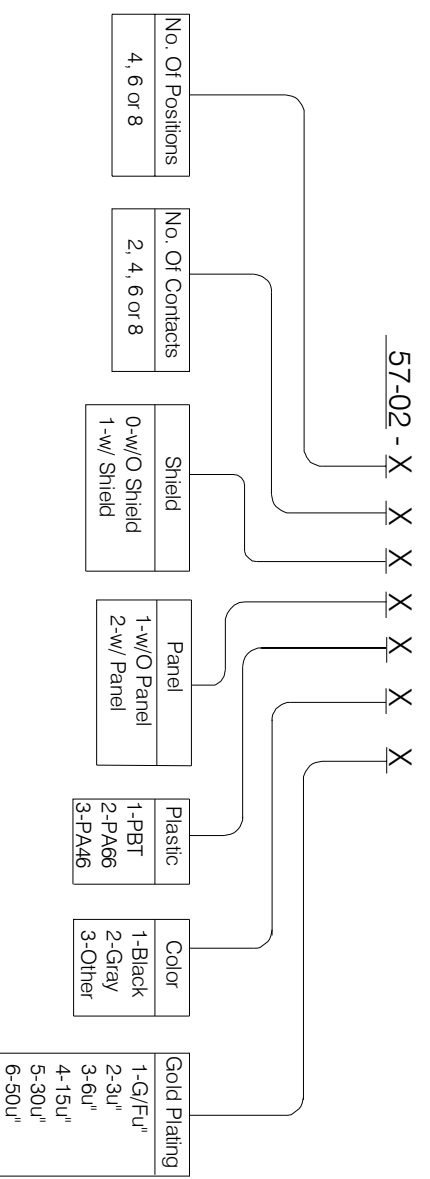
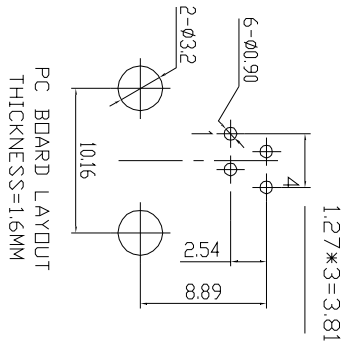
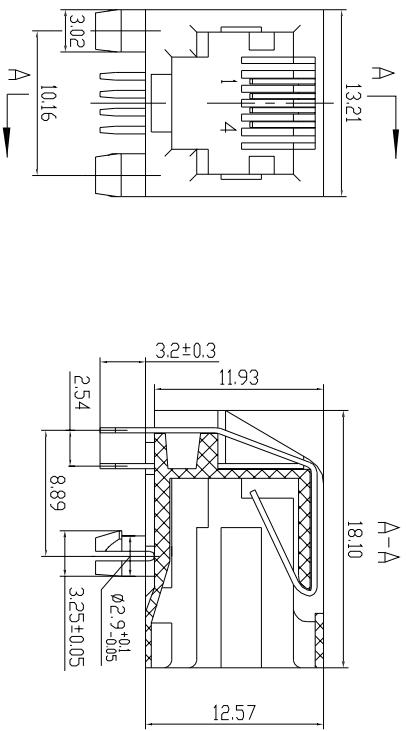
NOTES:

MATERIAL:

- 1. HOUSING MATERIAL :PBT,PA66,PA46(UL 94V-0)
- 2. CONTACT MATERIAL :FLAT PINS:0.35mm THICKNESS PHOSPHOR BRONZE;; GOLD PLATING OVER NICKEL IN CONTACT AREA; TIN PLATING OVER NICKEL IN SOLDER AREA

ELECTRICAL/PHYSICAL:

- 1. VOLTAGE RATING :125 VAC RMS
- 2. CURRENT RATING :1.5 AMP
- 3. CONTACT RESISTANCE :30 MILLIOHMS MAX2
- 4. INSULATION RESISTANCE :500 MEGOHMS MIN @500V DC
- 5. DIELECTRIC WITHSTANDING RESISTANCE :1000V AC RMS 60HZ 1MIN
- 6. DURABILITY :750 CYCLES MIN
- 7. TEMPERATURE :-40 ° C/+85° C



NOT SCALED DRAWING	TOLERANCE UNLESS OTHERWISE NOTICE	INCH	MM	DR.	DATE
THIRD ANGLE PROJECTION	LINEAR	MM INCH	MM INCH	Nina Jack	MAY-06-12 MAY-06-12

SIDE ENTRY PCB JACK

HENGLIAN ELECTRONIC TECHNOLOGY CO., LTD  
恒连电子科技有限公司  
<http://www.chinarj45.com>

DWG. NO. HL012052053

MM INCH  
ANGLE +0° 30'

RADIL  
+0.45  
-0.15

MAY-06-12