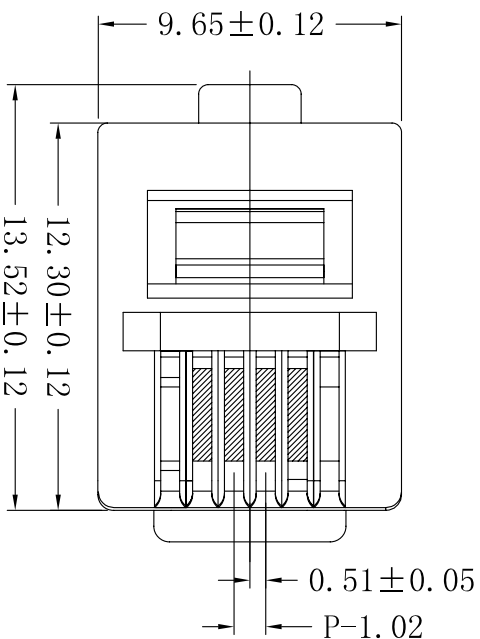
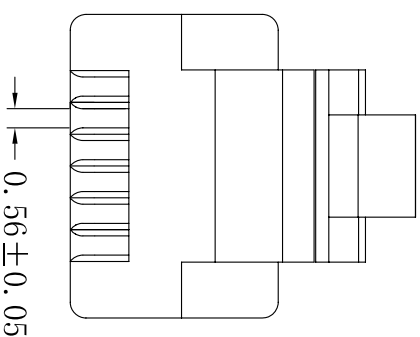
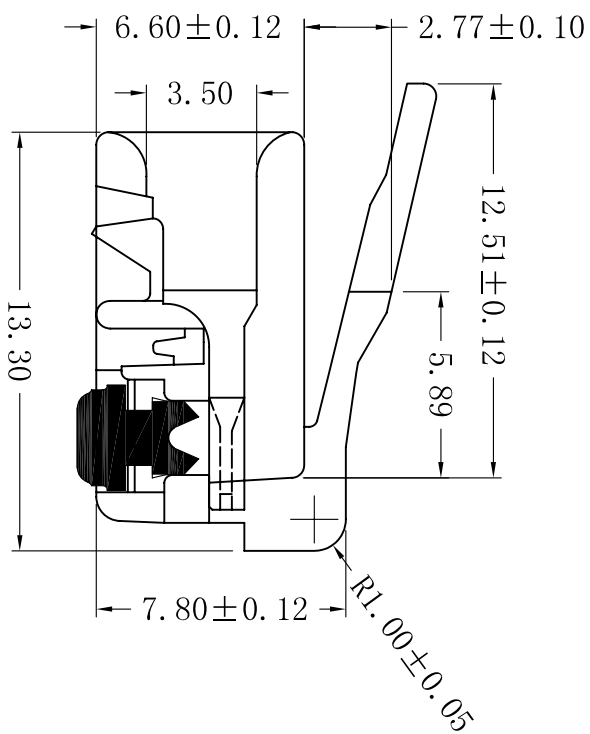
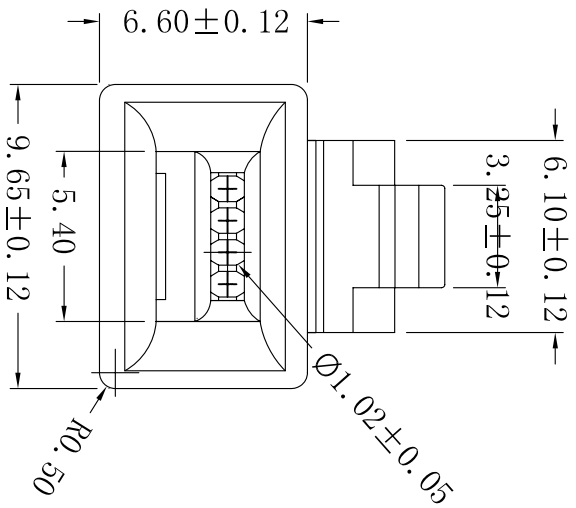



RoHS Compliant



- FEATURES:**
- 1 Electrical Test:
 - A. 250V AC max at 2 amps.
 - B. Dielectric with standing 500volts AC.
 - C. Insulation Resistance:500 megaohms.
 - D. Termination Resistance:35megaohms.
 - 2 Mechanical:
 - A. Cable-to-Plug tensile strength-20LBS (89N) min.
 - B. Durability:500 mating cycles.

<p>NOT SCALED DRAWING</p>  <p>THIRD ANGLE PROJECTION</p>	<p>TOLERANCE UNLESS OTHERWISE NOTICE</p>	<p>INCH</p>	<p>MM</p>	<p>DR. Nina</p>	<p>DATE MAY-06-12</p>
<p>6P4C 方孔</p>	<p>MM INCH</p>	<p>MM INCH</p>	<p>MM INCH</p>	<p>CKD Jack</p>	<p>MAY-06-12</p>
<p>DWG. NO. HL012052082</p>	<p>ANGLE+0° 30'</p>	<p>RADIL</p>	<p>APPD Jack</p>	<p>MAY-06-12</p>	<p>HENGLIAN ELECTRONIC TECHNOLOGY CO., LTD 恒连电子科技有限公司 http://www.chinarj45.com</p>